



MMLG/MMLB

Test Blocks and Test Plugs

Designed as part of the Midos family, these test blocks offer monitoring and secondary injection testing facilities for any power system protection scheme, when used with the multi-fingered test plug type MMLB 01.

The MMLG test block carries 14 circuits, each of which is brought out to separate pairs of terminals at the rear of the case.

Each circuit comprises a pair of internal contacts which are normally sprung together to complete the circuit link through the block when the associated protective equipment is in normal service.

Insertion of the test plug type MMLB 01 opens the contacts which connect terminal pairs, allowing testing to proceed.

The MMLB has been designed to take 4 mm stackable retractable shrouded plugs to provide enhanced finger safe protection.

Safety Advice



Testing operations are potentially hazardous, and require specific safety precautions to be taken.



Please refer to the back page of this brochure for safety advice.

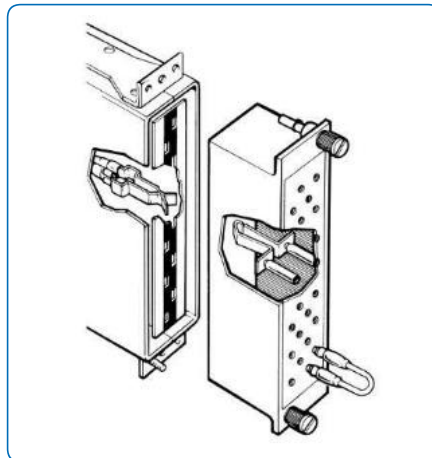


Figure 1
MMLG 01 test block and multi-finger test plug
MMLB 01 (not inserted) with a CT shorting link

Models Available

- MMLG 01 Standard test block
- MMLG 02 Special test block designed for use in busbar protection schemes
- MMLG 03 Horizontal version of MMLG 01
- MMLG 04 Horizontal version of MMLG 02
- MMLB 01 Multi-finger test plug

Key Benefits

- Test blocks can be mounted adjacent to 4U rack height relays and systems
- Test blocks eliminate the need to disturb protective system wiring for testing
- Monitoring, isolation and secondary injection testing are simplified and quickly performed



Description, Installation and Use

MMLG Test Block

The MMLG cover, when in place, provides protection from electric shock hazards. Access to internal circuits for testing purposes can be gained by removing the front cover. A metallic probe secured to the inside face of the MMLG 01 cover is automatically withdrawn when the cover is removed, thus interrupting the circuit between terminals 13 and 14. By routing the main DC auxiliary supply to the protection scheme or relay through this circuit, the removal of the test block cover will prevent inadvertent tripping of the protection during the ensuing tests. This link is not provided on the MMLG 02 because the contacts between terminals 13 and 14 are normally closed.

Note: These two terminals on MMLG 01/02 must not be used for CT connections since this will create a safety hazard. The reason for this is that the associated MMLB 01 test plug contact finger is shorter than the others. This would result in an open circuit path on the MMLG 02. Removal of the cover also reveals an orange coloured strip on the block front plate which gives a clear visual indication that the scheme is out of service.

Connections to other equipment (e.g. CTs, VTs and DC supplies) should be made to odd numbered terminals on the test block. This ensures that when the test plug MMLB is used, the sockets in the white half of the plug are the isolated relay circuits while the sockets in the orange half are connected to the potentially live supplies.

MMLB 01 test plug

The test plug carries 28 4mm sockets. Each socket is identified by a number which corresponds to the numbered case terminal to which the socket is connected when the plug is inserted.

Notes:

- The continuity of the shorting plug/wire links and the state of their insulation should be checked before insertion into the MMLG 01 test block.
- Before use, the insulation of the flying leads should be visually checked for damage.



Figure 2
MMLG 01 test
block with
multi-finger test
plug MMLB 01
inserted

To reiterate: The MMLG requires the user to make the necessary shorting links (if automatic internal CT shorting is required, use the MiCOM P990 test block range).

If you wish to use the DC auxiliary supply during testing, then it can be linked across using the sockets in the test plug. Test equipment can be connected to the relay or scheme using the sockets in the white area of the test plug and operation of contacts can be monitored.

Where more than one MMLG 01 test block is used in the connections to a relay, it may be advisable to route the DC supply through each of them as a safeguard against inadvertent operation.

Mechanical Details

Test block type MMLG

The MMLG test block is a size 2 unit in the Midos system.

Relevant sizes and panel mounting details are given in Figure 4. Each terminal has:

- 1) A 4mm screw outlet for 'L' shaped pre-insulated crimp terminations.
- 2) Two blades (4.8mm x 0.8mm cross-section) to accept snap-on connectors as defined in BS5057.

An earth connection should be made to the protective earth terminal on the rear of the MMLG using 2.5mm² minimum wire.

If ring tabs are used for connection to the rear terminal block, use the insulated crimp type to maintain design insulation levels.



Caution:

It is essential that the sockets in the MMLB 01 test plug which correspond to current transformer secondary windings are shorted using external links before the test plug is inserted into the MMLG test block. For a typical example refer to Figure 1.

This ensures that current transformer secondary windings are short-circuited before they are disconnected from the protection relay or scheme, thereby avoiding dangerously high voltages. This is illustrated in Figures 1 and 2.

Multi-fingered test plug type MMLB 01

The test plug inserts securely into test sockets of the MMLG test block and can be retained by two knurled screws. Each of the 28 test sockets of the MMLB test plug accepts a test cable with 4mm retractable shrouded plugs.

Accessories provided with each MMLB 01 test plug.

6 shorting plug links, each comprising of two 4 mm stackable plugs with retractable shrouds joined by 150 mm cable.

2 m cables of the same design are available to connect to the test equipment. (Available on request)



Figure 3 Test cable with retractable shrouded plugs

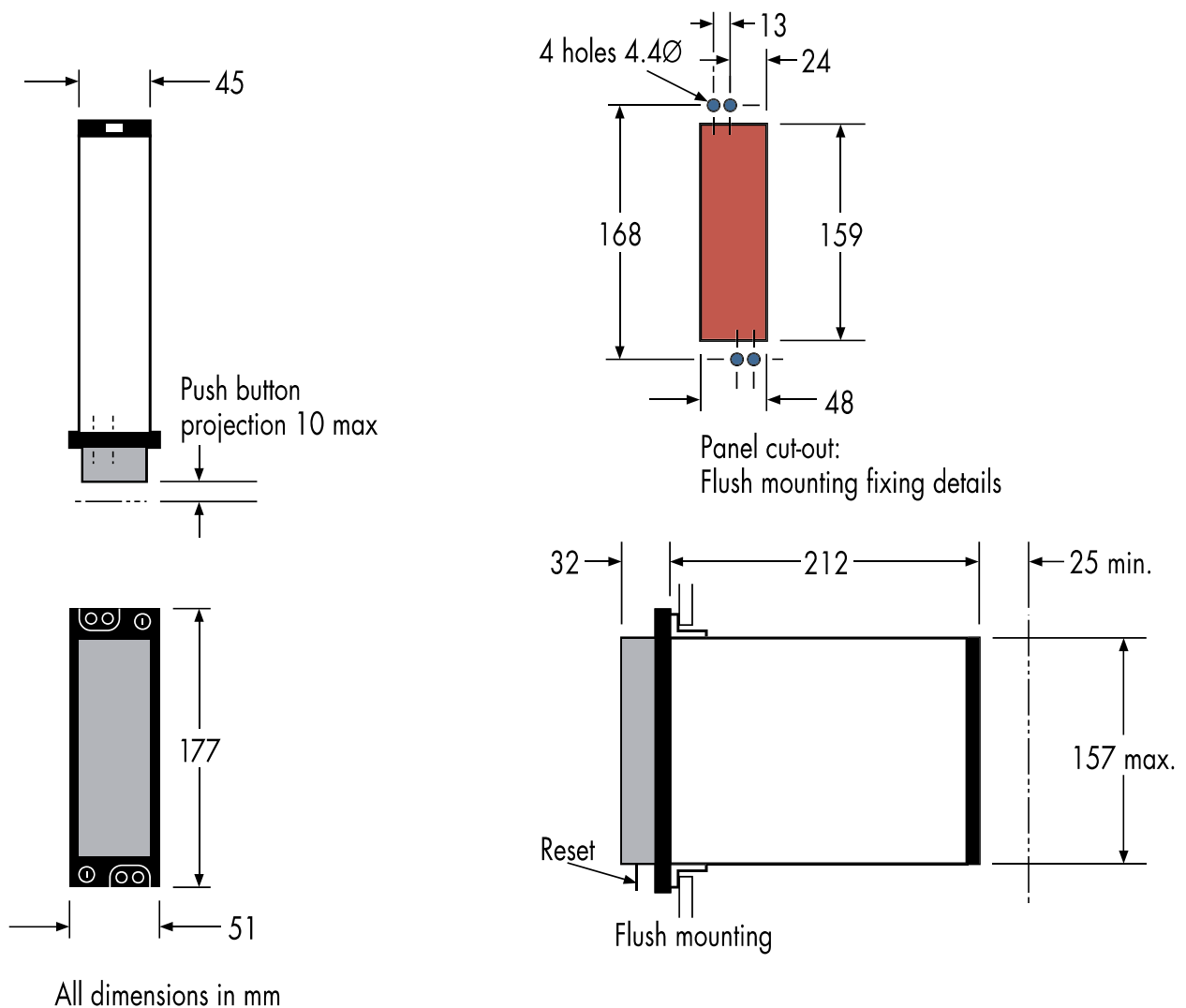


Figure 4: Case outline size 2

Safety Device



- Only qualified personnel may work on or operate the equipment.
- Removal of the MMLG dust cover may expose hazardous live parts, which must not be touched.
- Take all necessary precautions to identify the correct wiring to the MMLG block - do not rely on the substation's circuit diagrams. If it is safe to physically inspect the wiring, such verification is recommended.
- **NEVER** open the secondary circuit of a live CT since the high voltage produced may be lethal to personnel and could damage insulation. External CT shorting links must be in place on the MMLB before insertion. This test system does not feature internal CT shorting, the USER must make those jumper links on the MMLB him/herself, before the MMLB is inserted into an MMLG.



- Test supplies connected to the MMLB must be de-energised during insertion to the MMLG.
- All test leads and shorting links must be of the shrouded type, and should be visually-inspected for integrity before each use.
- If possible, all substation secondary circuits wired to the MMLG shall be temporarily made dead prior to the insertion, and prior to the removal of an MMLB test plug. This may require brief outages of the primary system, such that there is no primary current capable to energise CT secondary circuits.
- If you are in any doubt on the safe system of work – **stop work!**

Device Track Record - Test Blocks

MMLG and MMLB range launched in 1983

Over half a million MMLG test blocks delivered

Over 70,000 MMLB 01 test plugs delivered

MiCOM P990 series launched in 2001, offering another choice for test block applications

For more information please contact
GE
Grid Solutions

Worldwide Contact Center

Web: www.GEGridSolutions.com/contact
Phone: +44 (0) 1785 250 070

GEGridSolutions.com

IEC is a registered trademark of Commission Electrotechnique Internationale. IEEE is a registered trademark of the Institute of Electrical Electronics Engineers, Inc.

GE and the GE monogram are trademarks of General Electric Company.

GE reserves the right to make changes to specifications of products described at any time without notice and without obligation to notify any person of such changes.

MMLG-Brochure-EN-2020_07-Grid-GA-0722. © Copyright 2018, General Electric Company. All rights reserved.



Imagination at work